

ELBOWS CURVE

STANDARD ELBOW CURVE STANDARD

STD Steel elbows for concrete

Curve in acciaio per calcestruzzo

Single Layer P355 steel elbow

Curva singola parete in acciaio P355

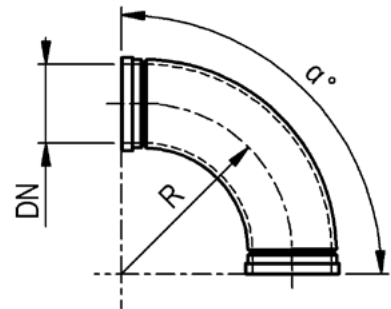
EXAMPLE | ESEMPIO

To indicate:

**STANDARD ELBOW DN125 - 5" - 7 mm wall thickness,
R275 - 5,5" SC55 weld on collars - quality E355 - St. 52.3**

Per indicare:

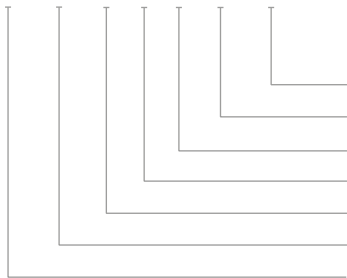
**CURVA STANDARD DN125 - 5" - spessore 7 mm,
R275 - 5,5" collarini SC55 - qualità E355 - St. 52.3**



Elbow STD 125 SC 55 90G R275

PART IDENTIFICATION SYSTEM

Sistema di codifica



- R275 = Radius of elbow
- 90 = Degree of elbow
- 55 = Connection diameter
- SC = Connection type
- 125 = Internal diameter
- Std = Material quality
- Elbow = Elbow type

Tab.1

Connecting system/Sistema di collegamento		
SC G		"GU" System - Grooved Sistema "GU" - Mis. in pollici
SC M		"GU" System - Metric Sistema "GU" - Mis. metriche
HD		Sistema "HEAVY DUTY"
SW		"OR" System - Male-Fem. Std. Sistema "OR" - M + F std.
Z - ZK		"OR" System - M + F conic Sistema "OR" - M + F conico

Tab.2

Weld-on collar sizes/Dimensioni collari	
20	2" - 50
25	2.5" - 65
30	3" - 75
34	3.25" - 80/97
40	4" - 100
44	4.4" - 112/148
45	4.5" - 100/127
50	5" - 125
55	5.5" - 125/148
60	6" - 150
65	6.5" - 150/178
70	7" - 180
75	7.5" - 180/209
80	8" - 200